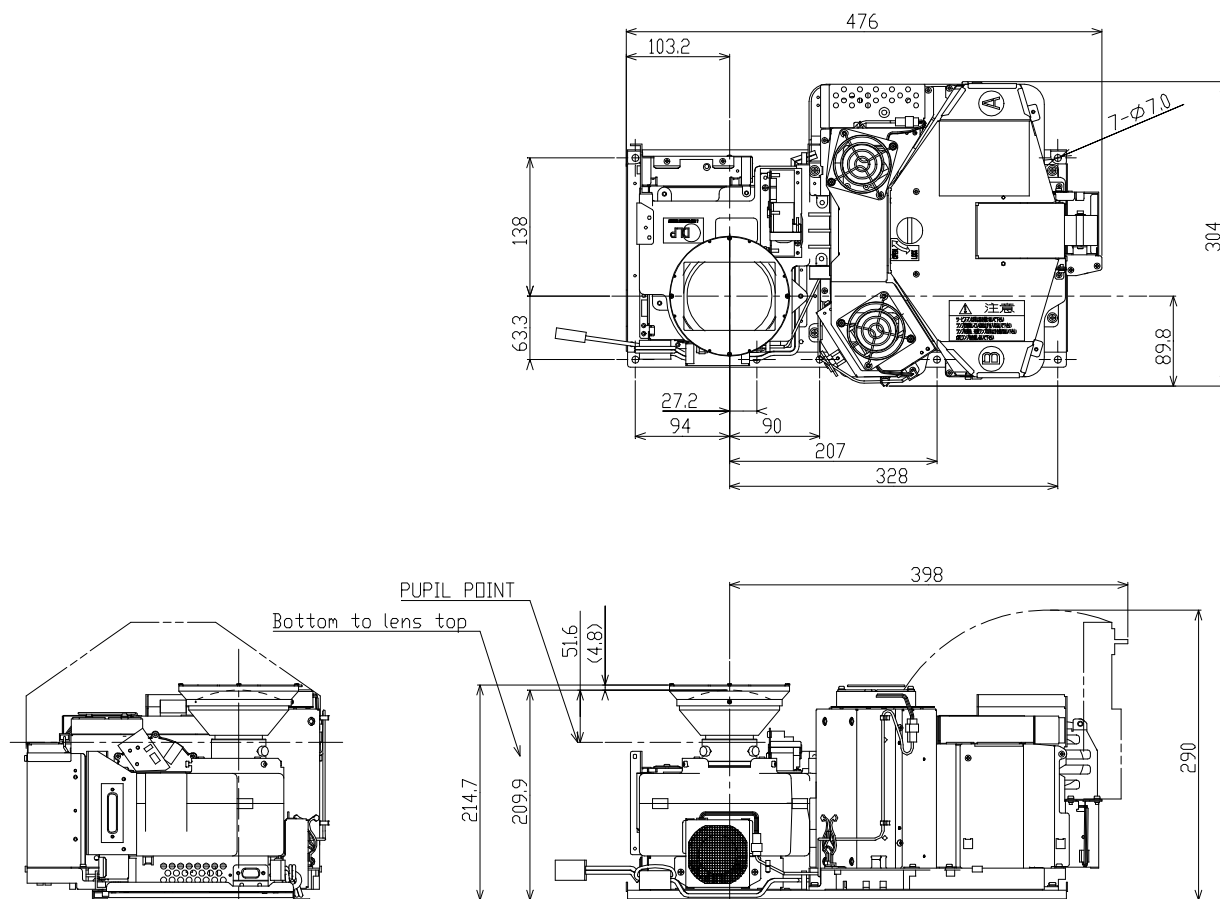


**Optical unit**

External dimensions (Unit: mm)



**Circuit box**

External dimensions (Unit: mm)

